

LED Spotlight 15 W

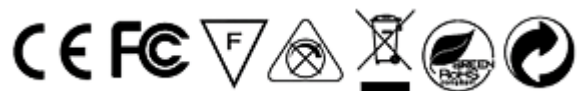


GlacialTech has unique products in **SP15 series LED spotlights**. It uses high power LED including **15 W** LED light source series products. It has excellent features like long lifetime (min. 20,000 hrs), high luminous efficacy and reduces environmental pollution. The SP15 spotlights can suitable for 100-240V AC. It can be used for spotlight, security lighting and surveillance system.

GlacialTech 的 SP15 系列使用高亮度 LED，其中包含 15 W 之系列產品具備比傳統燈泡更優良的特性如：使用壽命長(高於 20,000 小時)、高發光效率並具備環保節能特性，適用於 100-240V AC 電壓，主要使用於投射燈、感應照明與監控系統照明。

➤ Features 特性

- Indoor and outdoor use 室內/室外照明
- Comparable with mercury lamps 150 W 可等同於傳統 150 W 水銀燈泡光效
- Power factor > 0.9 for 115V AC; Power factor > 0.8 for 230V AC
功率因素 > 0.9 (115V AC) ; 功率因素 > 0.8 (230V AC)
- High power driver efficiency > 80% 電源轉換效率 > 80%
- High luminous efficacy LED 高發光效能 LED
- NO UV or IR radiation 無紫外線與紅外線傷害
- Compliance with safety standard: EN60598, EN61347-1+EN61347-2-13, EN55015+EN61547, EN60825-1, FCC Part 18
遵循歐盟安規及北美 FCC 標準： EN60598、EN61347-1+EN61347-2-13、EN55015+EN61547、EN60825-1、FCC Part 18
- Cool light prevents heat buildup and associated heat degeneration 低溫光可減少環境溫度的上昇
- Energy saving and environment friendly 具環保節能效益
- IP65 (without sensor type) / IP54 (with sensor or CCD type) dust and water proof
IP65(無感應器系列機種)/IP54(有感應器與 CCD 系列機種) 防水防塵等級



➤ Specifications 產品規格

Item No. 型號	GL-SP15-WW	GL-SP15S-WW GL-SP15C5-WW GL-SP15C6-WW	GL-SP15-CW	GL-SP15S-CW GL-SP15C5-CW GL-SP15C6-CW
CCT (Typical) 色溫	3000 K		6000 K	
Typical Power Consumption 消耗瓦數	20 W	21 W	20 W	21 W
Luminous Flux (lm) 光通量 (流明)	650 lm		950 lm	
Input Voltage 輸入電壓	100-240V AC			
Input AC Current (Max.) 輸入最大電流	115V AC / 1.5A ; 230V AC /1A			
Operation Temp. Range 操作溫度	-20°C ~ +40°C			
Typical Luminous Efficacy 發光效能(流明/瓦)	33 lm/W	31 lm/W	48 lm/W	46 lm/W
CRI 演色性	> 80		> 75	
Beam Angle 光束角	30°/60°(optional)			
Warranty 保固期	2 Years			
Applications 應用	Indoor and Outdoor Lighting/ Architectural Lighting/ Landscape Lighting/ Spot Lighting/Public Place Lighting/ Security Lighting/ Surveillance System 室內室外建築照明與裝潢/園藝造景/投射燈/公共空間/感應照明/監控系統			
Outline Dim. 外觀尺寸(公厘)	Ψ 185*175*130 (mm)	Ψ 185*260*140 (mm)	Ψ 185*175*130 (mm)	Ψ 185*260*140 (mm)
Net. Weight 淨重(公斤)	1.2 (Kgs)	1.3 (Kgs)	1.2 (Kgs)	1.3 (Kgs)
Package 包裝方式	6 Boxes / Carton			
Box Dimension/ Weight 盒裝尺寸(公厘)/重量(公斤)	Without sensor: L=195*148*190 (mm) / 1.6 (Kgs) With sensor: L=285*197*148 (mm) / 1.8 (Kgs)			

Sensor (optional)

Sensor Style 感應類型	Automatic infrared heat detector
Sensing Coverage 感應距離	4-15 meters. Center-horizontal moving
Detection Range 感應範圍	90° – 110°
Light Up Time 亮燈時間	7 seconds to 12 minutes
Operating 作業時間	24 hrs
Protection Device 保護裝置	Inlaid with 220 V / 10A 5 x 20 mm fuse

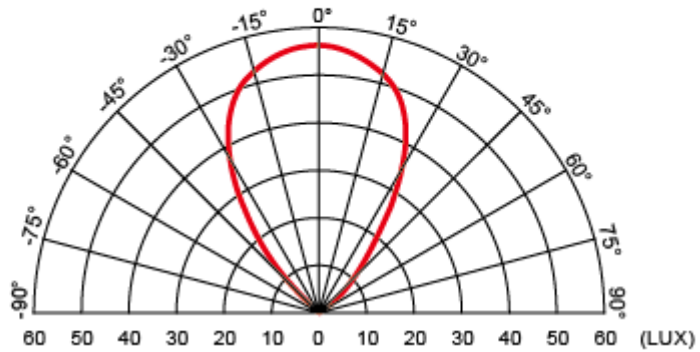
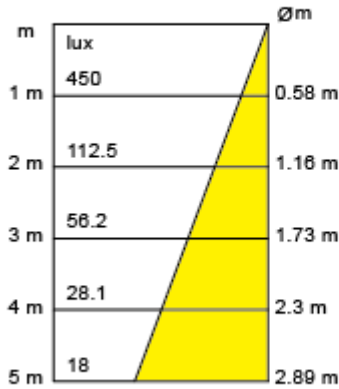
CCD (optional)

Image Pick-up Device 影像裝置	Sony 1/3" color CCD
Gamma Characteristic 灰階校正	0.45
Lens Furnished 鏡頭	Board lens 3.6 mm / f2.0
Video Output 影像輸出	1 vp-p composite video / 75 ohms
S/N Ratio S/N 訊噪比	More than 48 dB
Gain Control 增益控制	Automatically
Signal 訊號	24H 1Vp-p video signal output
Horizontal Resolution 水平解析度	380TVL (optional 480TVL / 540TVL)
Work Frequency 工作頻率	60Hz(110V) / 50Hz (220V)

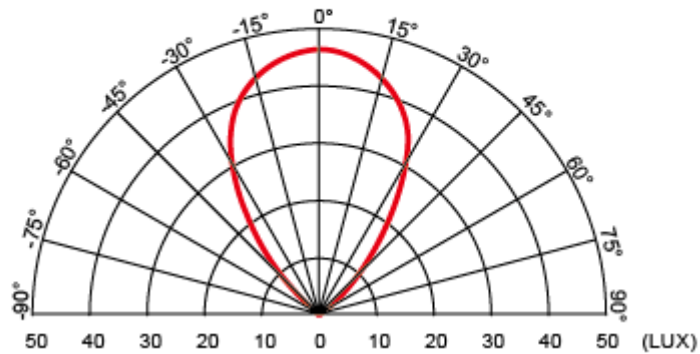
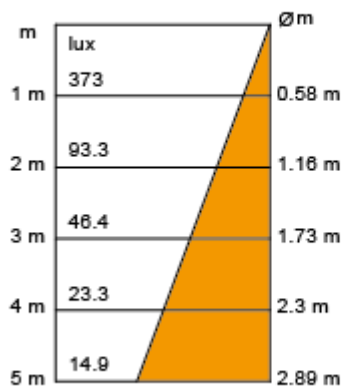
➤ **Candle Power Distribution Curve (15 W / 3 M)**

配光曲線圖

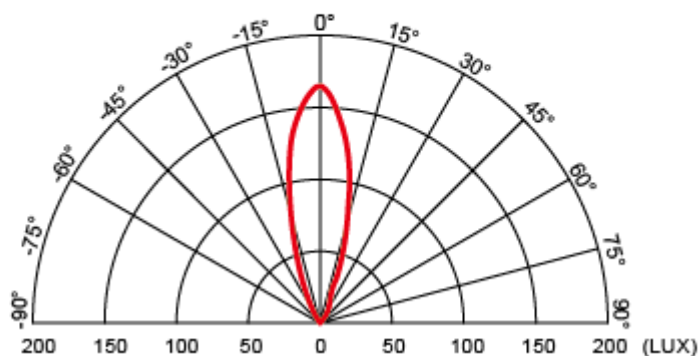
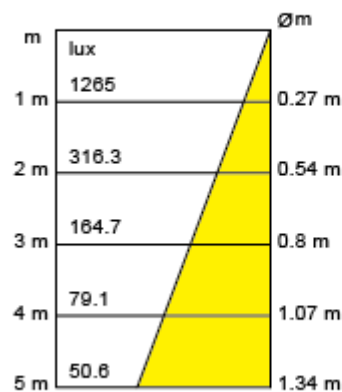
SP-15W-CW 60°



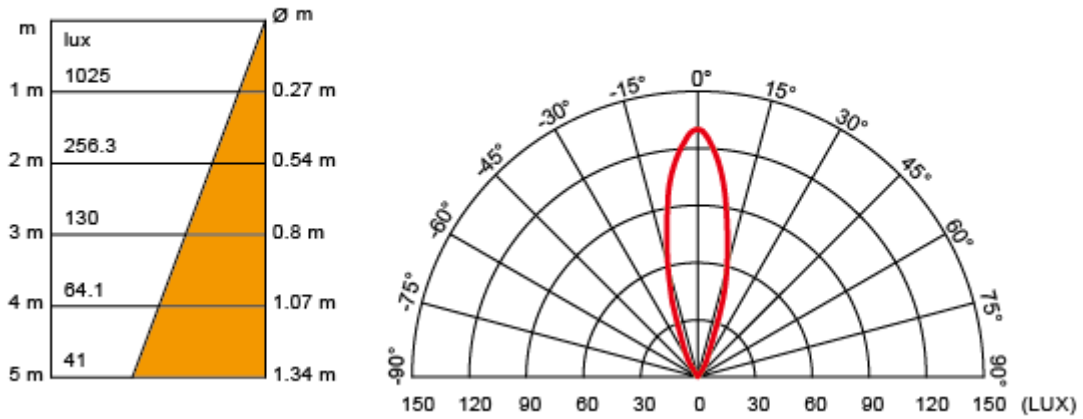
SP-15W-WW 60°



SP-15W-CW 30°

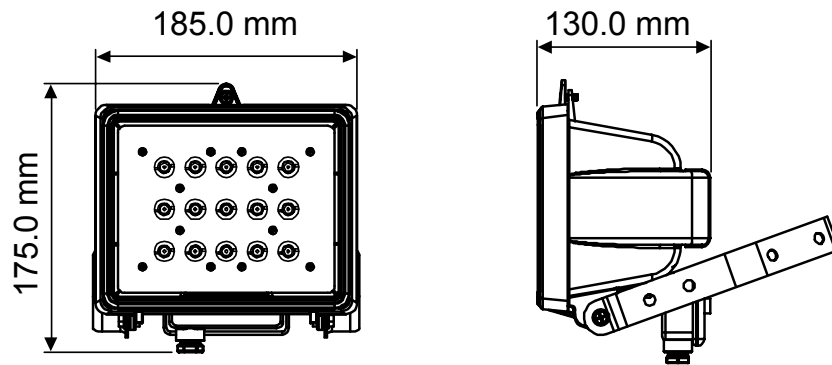


SP-15W-WW 30°

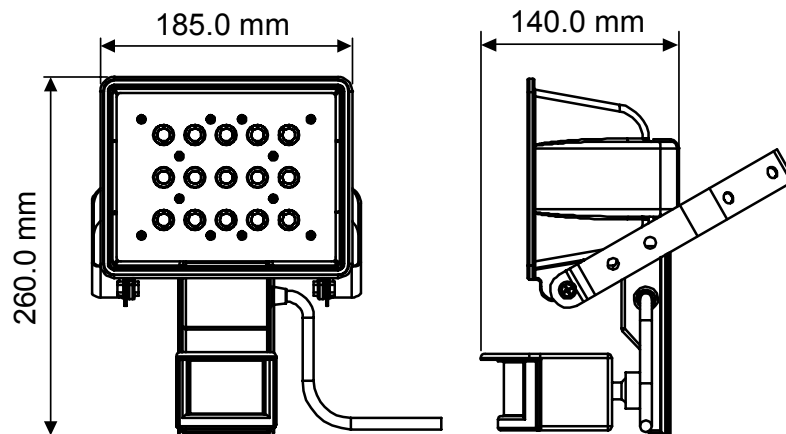


➤ Dimensions 尺寸

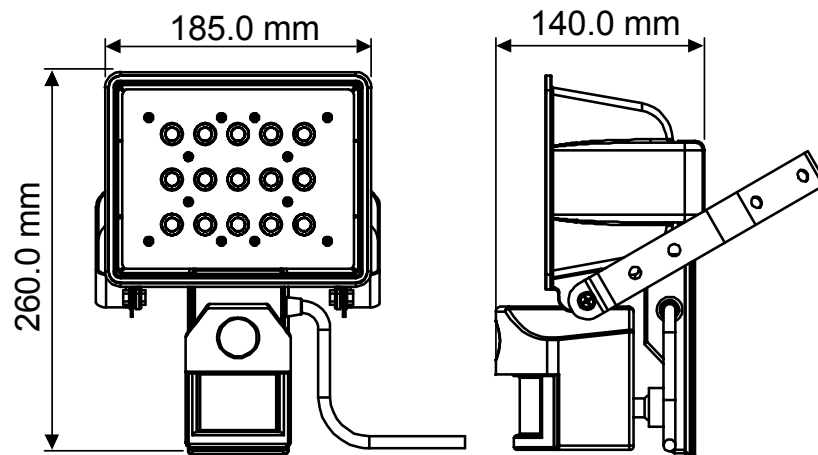
1. GL-SP15



2. GL-SP15S



3. CCD (Optional) - GL-SP15C5 / GL-SP15C6



➤ Energy Saving & CO₂ Reduction Comparison Table 節能減碳比較表

Item 項目	GL-SP-15CW (6000 K)	Mercury Lamps
Life Time 壽命(小時)	20,000 hrs	3,000 hrs
Typical Power Consumption 消耗瓦數(=A)	20 W	150 W
Typical Power Consumption per year 每年消耗瓦數 (12hrx365day/KWh)*A=B	92 KW	657 KW
CO ₂ Quantity (Kgs/year) 每年CO ₂ 排放量 (公斤) (0.637*B=D)	60 Kgs	420 Kgs
Energy Saving Rate 與水銀燈泡相比之省電率 (Compare with Mercury Lamps)	86%	

 CO₂ calculation reference IPCC guide=0.637 CO₂/kwh (Taiwan)