

GL-SP15 Series User Manual

CAUTION

1. The "Warranty Period" is two (2) years. We will warrant free repair or replacement services if the product fails or becomes defective during normal use within the prescribed warranty period. Please send back the product to our company or contact your local distributors for further directions.
2. Do not change or tamper with any internal electric circuits or add in any wires or cables for any reason.
3. Do not change the mechanical design, circuit specifications, or components; do not add any other devices as this may cause the product to short circuit or may create other unforeseen risks.
4. Keep the lamp set in a dry environment in order to avoid any electricity leakage.
5. To avoid electrical shocks and possible malfunction, please do not insert objects of any nature into the LED product.
6. For further information, please contact us.

CAUTION

CLASS 2 LED LIGHT
DO NOT STARE INTO THE BEAM



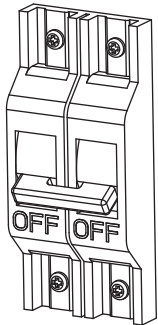
Thanks for your choice of LED SP15 series products. Please ensure that you install and use the product according to the below directions to enable the correct implementation and normal functioning of the LED product.

Should you not follow these directions, you will not be compensated in accordance with the warranty. We will not take any responsibility from the improper use and implementation of the product, and for any associated damage caused by such irresponsible and negligent actions.

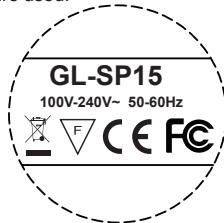
Installation process

Please get professional installation personnel to set up the fixture.

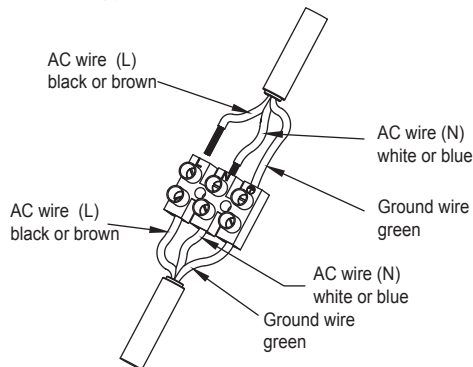
1. Before installation, please turn off the power switch for the existing bulb.



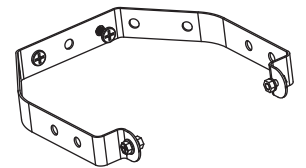
2. Please make sure that the specifications of the power connector and the output voltage are compatible to the LED fixture used.



3. At the rear side of the LED fixture, please connect the Live (L) and Neutral (N) terminal are used for connecting to power output. Please follow the standard process to connect them accordingly and do insulation on both terminal respectively.



4. Screw the LED fixture tight onto a wall or a stand and adjust the angle in accordance with individual needs.

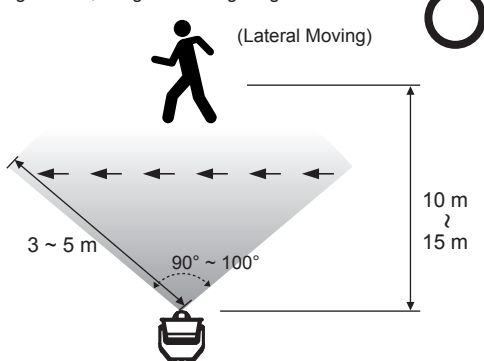


5. Please plug the unit into an appropriate power socket and turn the power on. If the lamp does not work, please repeat steps 1-4 until it does work.

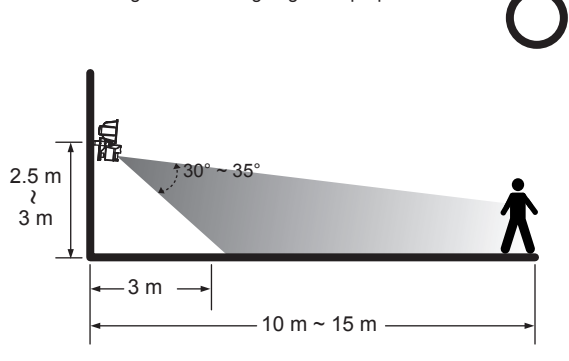
Best Position

- Pick a vantage point based on the directions of human and car traffic
- Install the sensor at a location within 10 ~ 15 meter radius of the vantage point, 2.5 ~ 3 meter high and at an angel of adjustable sensor is up / down 10° ~ 30° (best at 90 degree)
- Make sure the sensor is firmly screwed

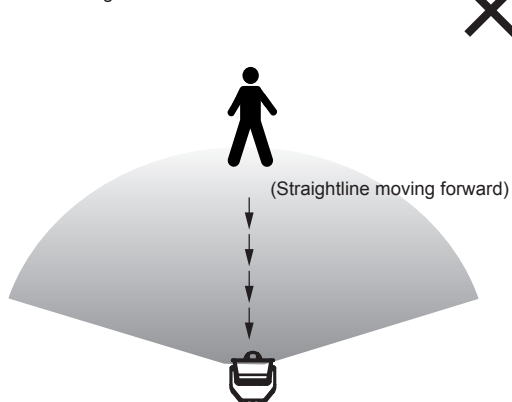
Best sensing effects , Longest sensing range



Installation height and sensing angle are proper



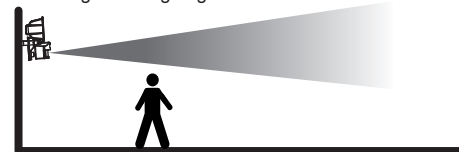
Worst sensing effects



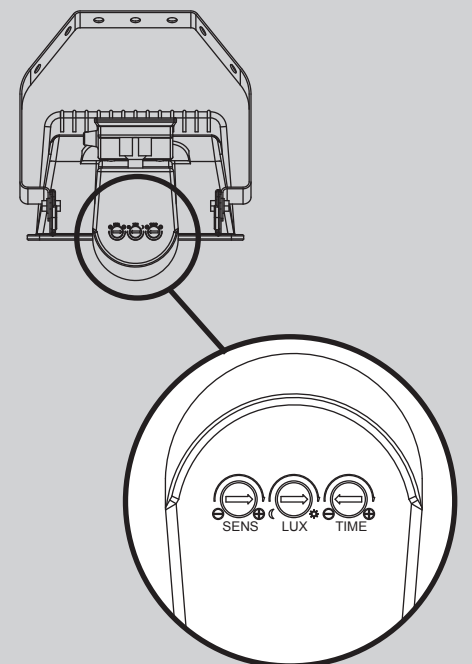
Insufficient range due to low sensing angle



Short sensing range and prone to false detections due to high sensing angle



Indicators on the bottom of the sensors



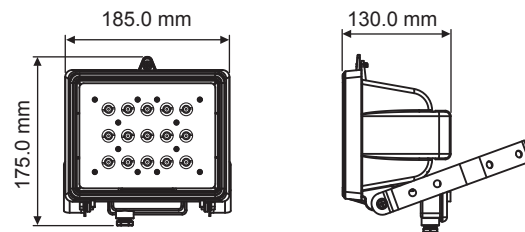
1. SENS: The intensity of sensing. + indicates strong sensing. - indicates weak sensing.
2. LUX: The brightness of the environment. Moon mark (>3 lux) indicates night sensing; effective when human entering the sensing area in low illuminations. Please avoid strong light resource because it may lead sensor to false detections. Sun Mark indicates 24-hour sensing regardless day or night. It is effective.
3. TIME: The light up time of sensing. From 7 seconds to 12 minutes.

Specifications

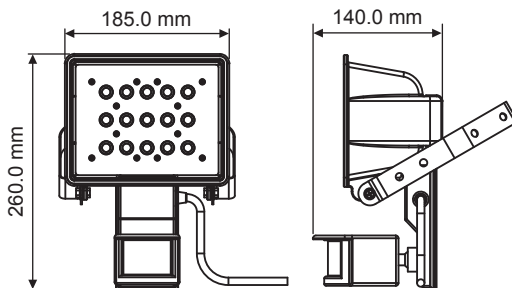
Optical				
Model No.	GL-SP15-WW (Warm White)	GL-SP15S-WW GL-SP15C5-WW GL-SP15C6-WW (Warm White)	GL-SP15CW (Cool White)	GL-SP15S-CW GL-SP15C5-CW GL-SP15C6-CW (Cool White)
CCT (Typical)	3000 K		6000 K	
Luminous Flux (lm)	650 lm		950 lm	
Typical Luminous Efficacy	33 lm / W	31 lm / W	48 lm / W	46 lm / W
CRI (Ra)	> 80		> 75	
Beam Angle	30° / 60° (Optional)			
Lux at 1 M (60°)	373		450	
Lux at 1 M (30°)	1025		1265	
Mechanical and Dimension				
Outline Dim.	185 × 175 × 130 (mm)	185 × 260 × 140 (mm)	185 × 175 × 130 (mm)	185 × 260 × 140 (mm)
Net. Weight	1.2 (Kgs)	1.3 (Kgs)	1.2 (Kgs)	1.3 (Kgs)
Cover	Clear			
Electrical				
Typical Power consumption	20 W	21 W	20 W	21 W
Power Factor	> 0.9 for 115V AC; > 0.8 for 230V AC			
Input Voltage	100 – 240V AC			
Work Frequency	60 Hz (110V) / 50 Hz (220V)			
Temperature Condition				
Operating Temperature	-20 °C – +40 °C			
Storage Temperature	-40 °C – +85 °C			
Sensor (optional)				
Sensor Style	Automatic infrared heat detector			
Sensing Coverage	4-15 meters. Center-horizontal moving			
Detection Range	90° – 110°			
Light Up Time	7 seconds to 12 minutes			
Operating Hours	24 hrs			
Protection Device	Inlaid with 220 V / 10A 5 x 20 mm fuse			
CCD (optional)				
Image Pick-up Device	Sony 1/3" color CCD			
Gamma Characteristic	0.45			
Lens Furnished	Board lens 3.6 mm / 6 mm / 8 mm / f2.0			
Video Output	1 vp-p composite video / 75 ohms			
S/N Ratio	More than 48 dB			
Gain Control	Automatically			
Signal	24H 1Vp-p video signal output			
Horizontal Resolution	380TVL (optional 480TVL / 540TVL)			

GL-SP15 Series Outlook

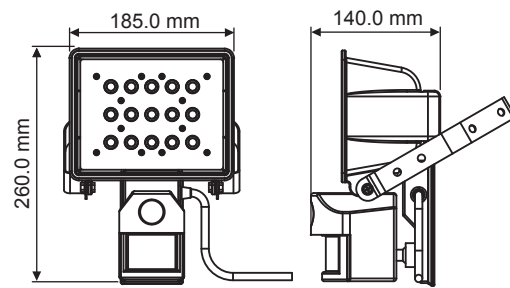
» GL-SP15



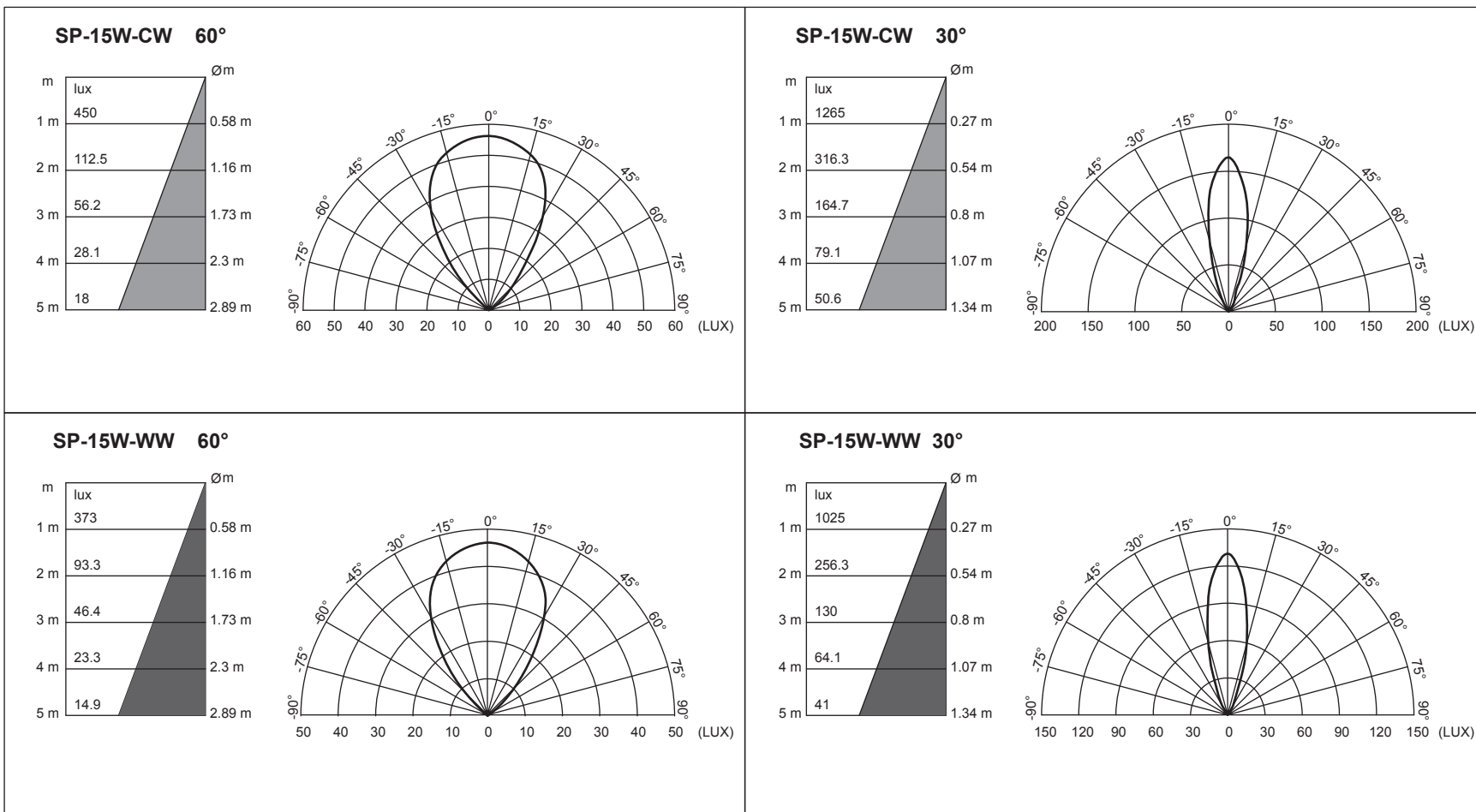
» Sensor - GL-SP15S



» CCD (Optional) - GL-SP15C5 / GL-SP15C6



Candle Power Distribution Curve (15 W / 3 M)



All rights reserved. All brand names and trademarks are the properties of their respective owners. The specifications are subject to change without notice.

17-SP15S000002

IP54 IP65 (without sensor type)

